

JELLY

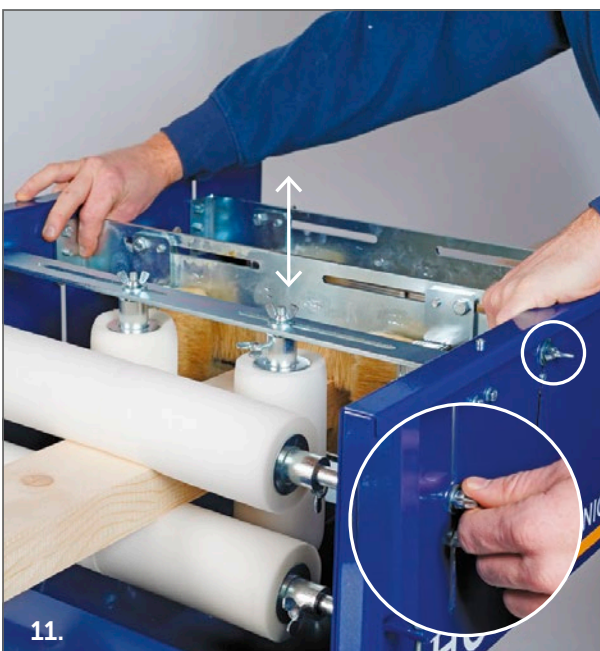
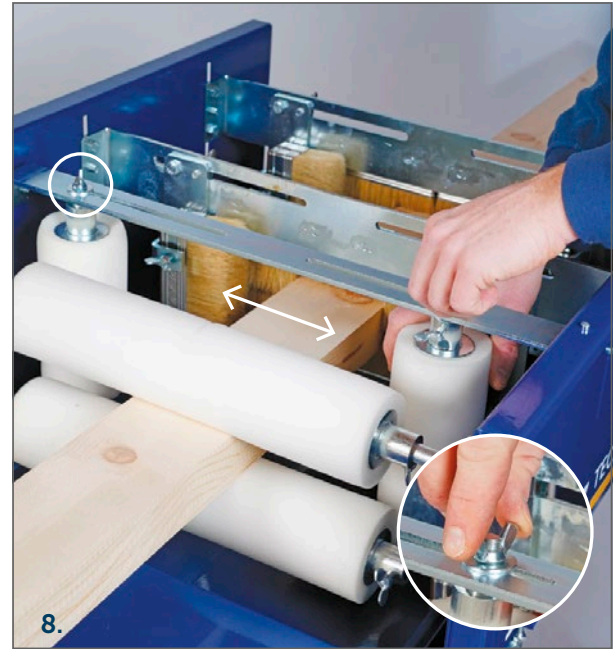
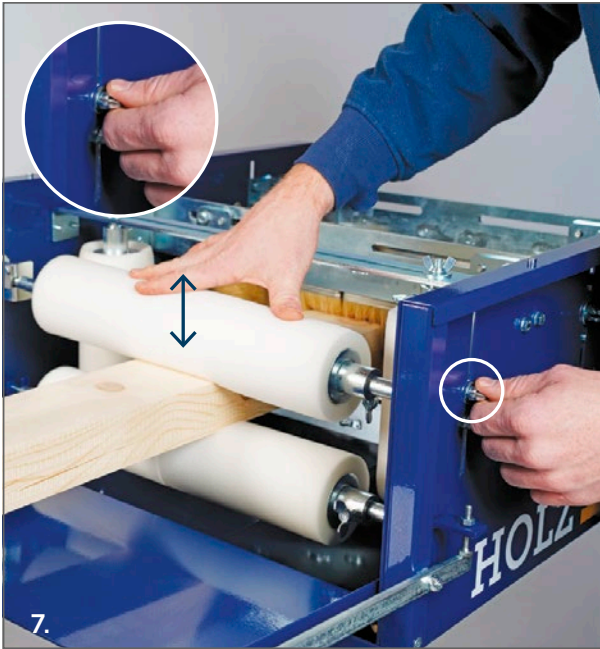
PAINTING MACHINE

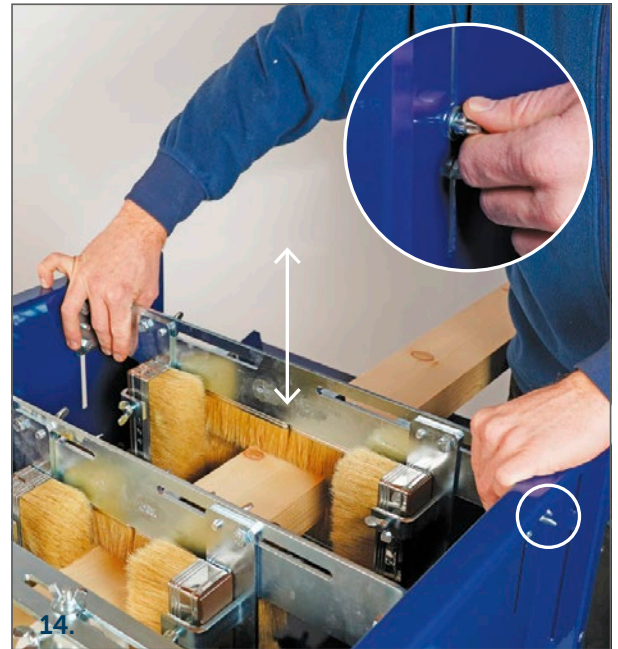


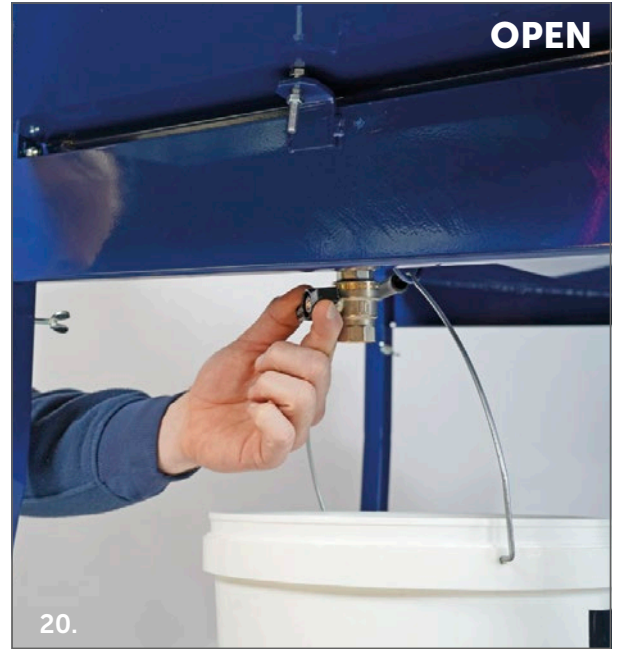
INSTALLATION
MANUAL

HOLZ TECHNIC



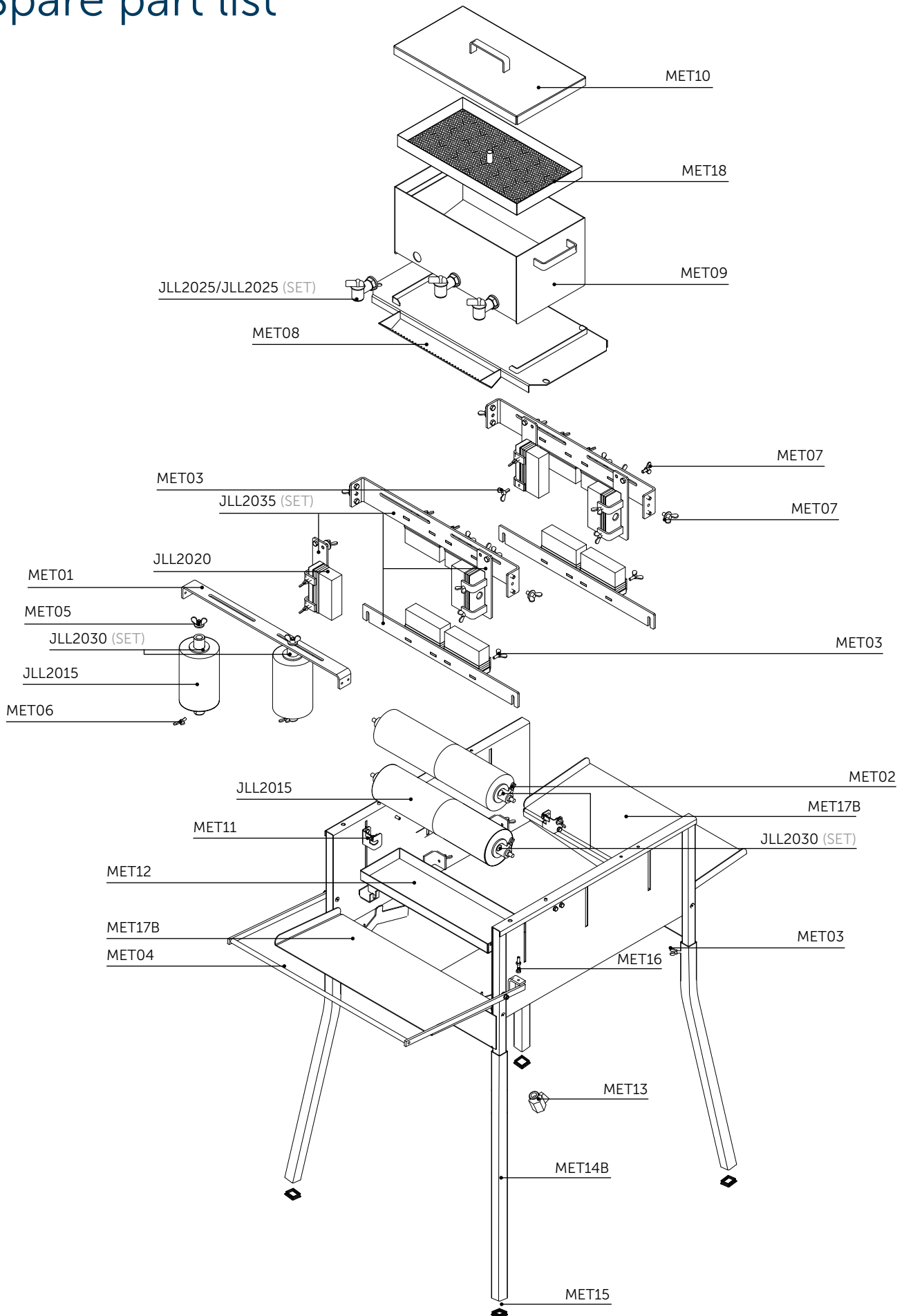


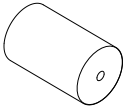
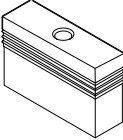
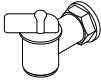
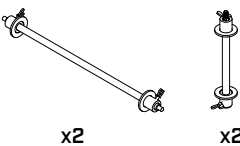
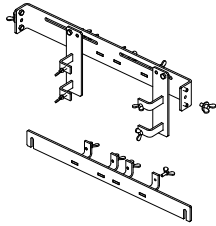
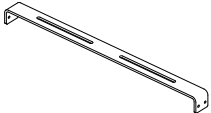


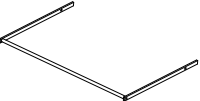


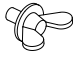
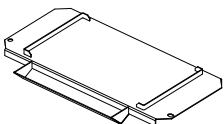


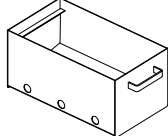
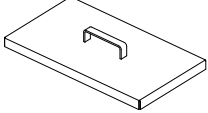
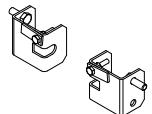
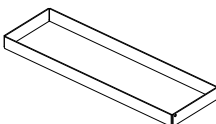

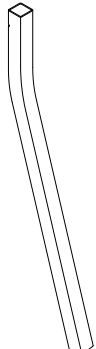


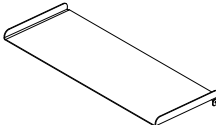
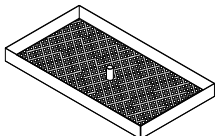


JELLY HT

Spare part list



CODE	description	pcs.	
JLL2015	Rolls	6	
JLL2020	Brushes	12	
JLL2025	Taps	1	
JLL2025SET	Taps set	3	
JLL2030	Rolls holder set (without rolls)		 x2 x2
JLL2035	Brush holder fixing plate set (without brushes)	x2	
MET01	Rolls holder fixing plate	1	
MET02	Screw M6 foot stop female	1	
MET03	Screw M6 x 16 mm foot stop male	1	
MET04	Entry support rod (incl. fixing screws)	1	
MET05	Screw M8 foot stop female	1	
MET06	Screw M8 x 10 mm foot stop male	1	
MET07	Thumbscrew M8 x 20 mm	1	
MET08	Lower plate	1	

CODE	description	pcs.	
MET09	Paint bucket without lid, sieve & taps	1	
MET10	Lid for paint bucket	1	
MET11	Upper rollholder fixation (left + right)	1 + 1	
MET12	Paint pan	1	
MET13	Drain tap	1	
MET14B	Leg (incl. Cap MET15; without fixing- screw MET03)	1	
MET15	Cap for leg	1	
MET16	Spacer screw	1	
MET17B	Inlet/Outlet support	1	
MET18	Sieve for paint bucket	1	

HOLZ TECHNIC